

IEEE 1394 Card

(for use with Agilent 1690-series logic analyzers)

Installation Guide

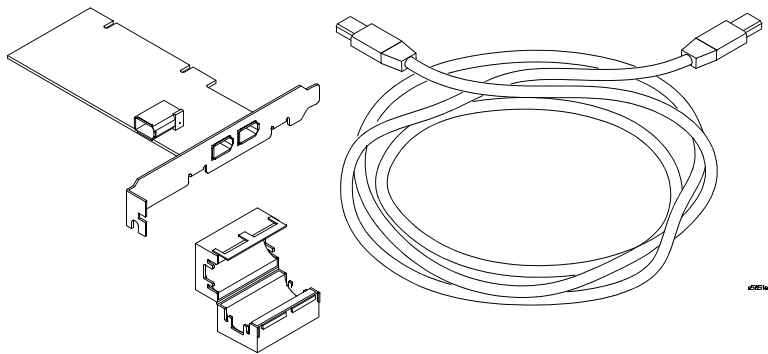
The Agilent Technologies E5851A IEEE 1394 card installed into your PC lets you connect an Agilent 1690-series logic analyzer and operate it using the *Agilent Logic Analyzer* application running on the PC.

PC System Requirements:

- 1.0 GHz minimum, Intel Pentium® 3, AMD Athlon K7 or better.
- 512M RAM.
- Windows® 2000 Professional or Windows XP Professional installed.
- 100M minimum available hard disk space.

Connection Kit Contents:

- IEEE 1394 Card.
- 6-Pin to 6-Pin Cable.
- Ferrite.



Install the IEEE 1394 Card

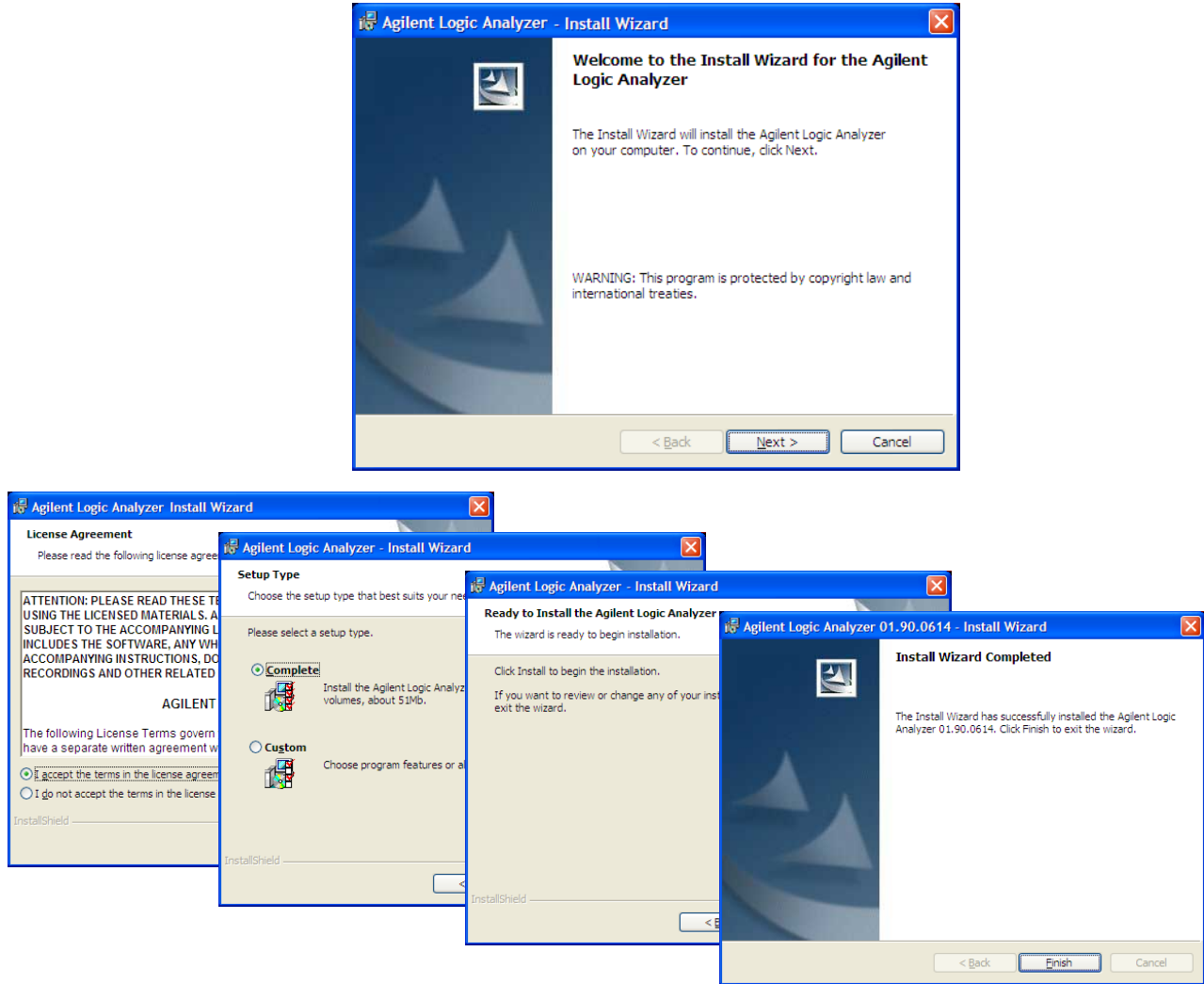
Windows XP/2000 will not prompt you if the IEEE 1394 card is not properly installed.

- 1 Power down your PC and disconnect the power cable.
- 2 Refer to your PC's documentation for specific installation instructions to install the IEEE 1394 PCI card in any available slot in your PC.



Install Application Software

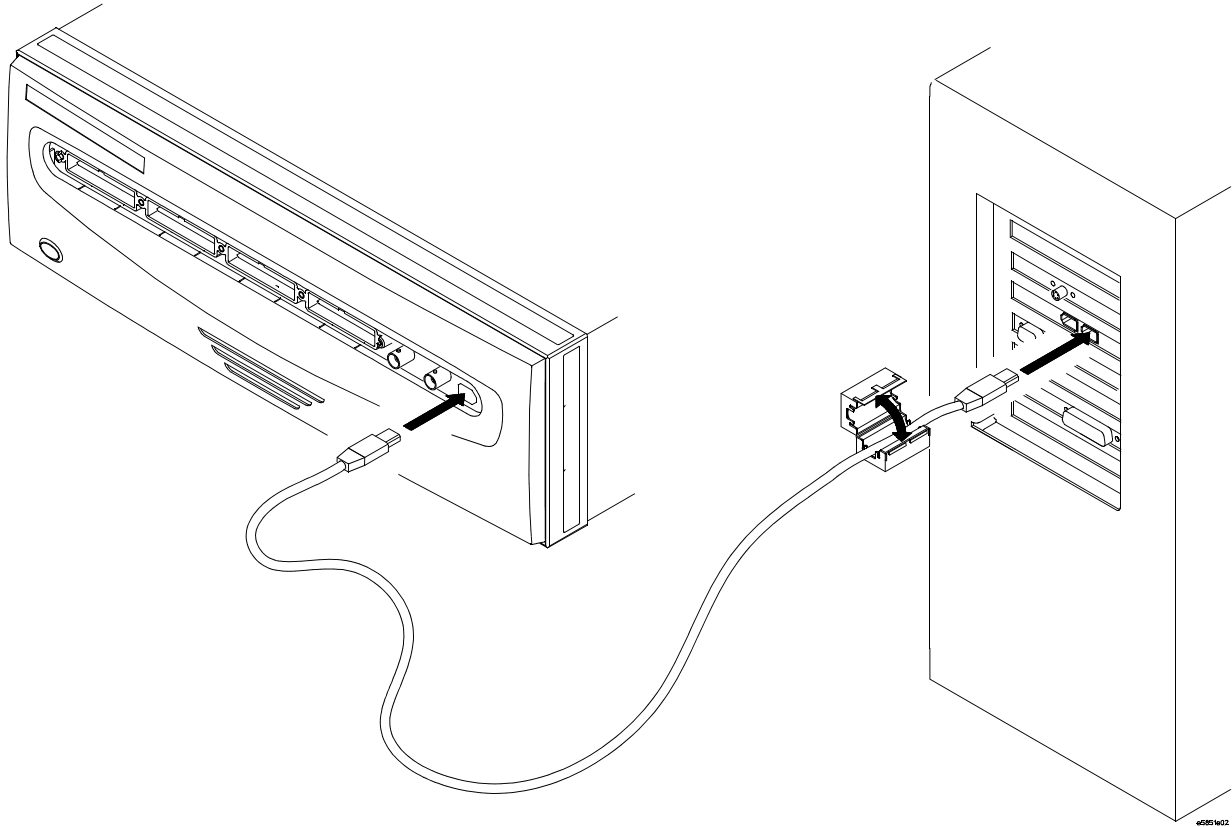
To install the *Agilent Logic Analyzer* application, insert the application software CD into the PC's CD drive. Follow the steps in the Install Shield wizard.



Installing the logic analyzer application on another Windows XP or Windows 2000 computer lets you perform offline analysis without the logic analyzer.

Connect the Logic Analyzer and PC

Snap the Ferrite on the 6-pin to 6-pin cable and connect the cable between the PC and the logic analyzer.



www.agilent.com

© Agilent Technologies, Inc. 2004

Printed in Malaysia March 2004



Document Part Number E5851-97001

